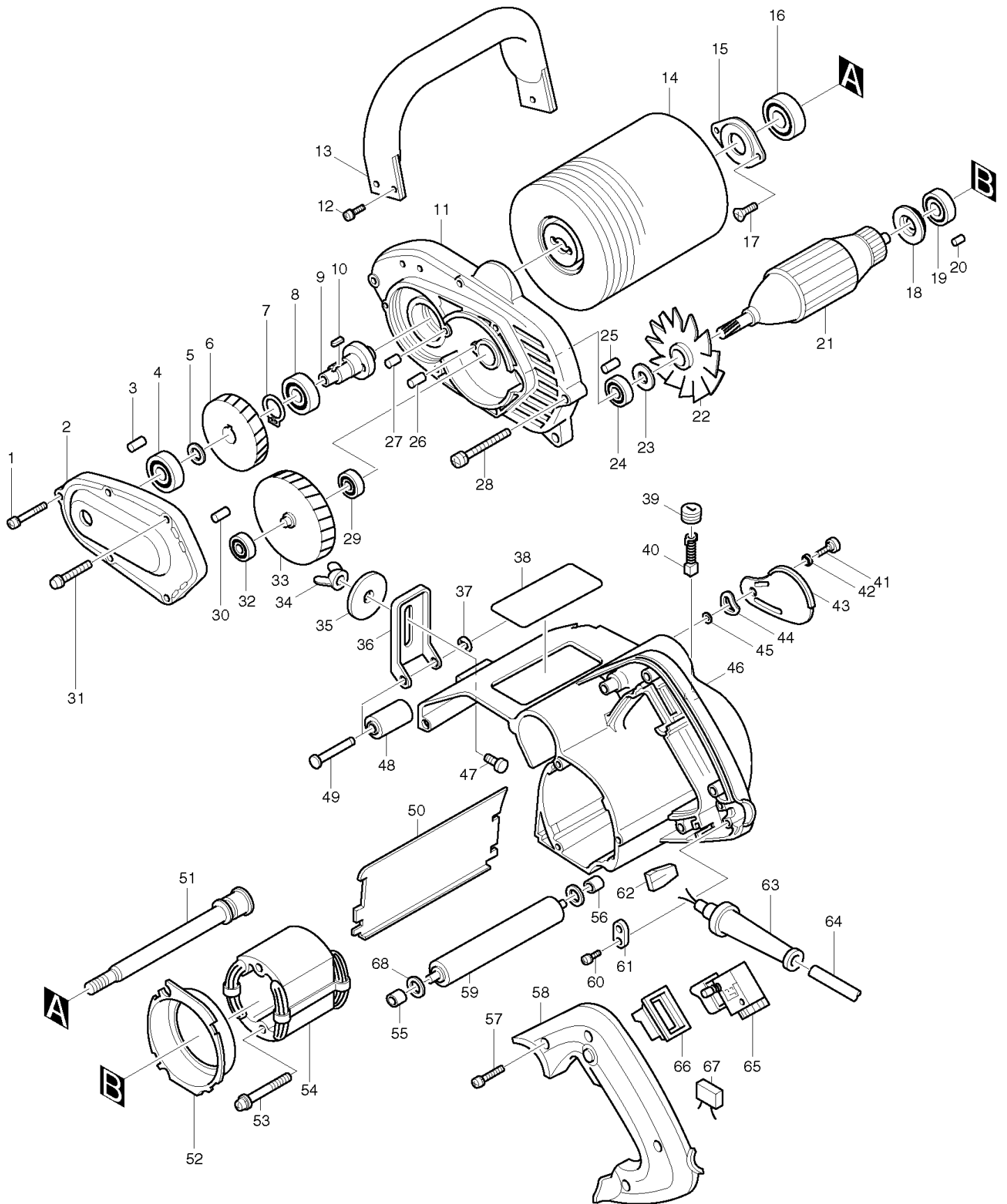


| Nr. | Art nr. | Namn |
|-----|----------|------------------------------|
| 1 | 911248-8 | PAN HEAD SCREW M5X28 |
| 2 | 157777-9 | GEAR HOUSING COVER |
| 3 | 263002-9 | RUBBER PIN 4 |
| 4 | 211101-1 | BALL BEARING 6001LLB |
| 5 | 253744-3 | FLAT WASHER 12 |
| 6 | 221756-4 | HELICAL GEAR 53 |
| 7 | 961055-9 | RETAINING RING S-15 |
| 8 | 211236-8 | BALL BEARING 6002DDW |
| 9 | 163269-8 | SPINDLE |
| 10 | 254219-5 | KEY 4 |
| 11 | 157776-1 | GEAR HOUSING |
| 12 | 911218-7 | PAN HEAD SCREW M5X14 |
| 13 | 273623-9 | GRIP |
| 14 | 794384-3 | NYLON BRUSH WHEEL 120-80 |
| 15 | 285661-9 | BEARING RETAINER |
| 16 | 211275-8 | BALL BEARING 6003DDW |
| 17 | 912122-3 | COUNTERSUNK HEAD SCREW M4X14 |
| 18 | 681625-5 | INSULATION WASHER |
| 19 | 211031-6 | BALL BEARING 608LLB |
| 20 | 263014-2 | RUBBER PIN 4 |
| 21 | 512928-5 | ARMATURE ASS'Y 220V |
| 22 | 241113-0 | FAN 68 |
| 23 | 253024-7 | FLAT WASHER 10 |
| 24 | 211088-7 | BALL BEARING 6000DDW |
| 25 | 263002-9 | RUBBER PIN 4 |
| 26 | 263002-9 | RUBBER PIN 4 |
| 27 | 263005-3 | RUBBER PIN 6 |
| 28 | 911258-5 | PAN HEAD SCREW M5X35 |
| 29 | 211019-6 | BALL BEARING 626 |
| 30 | 263002-9 | RUBBER PIN 4 |
| 31 | 911278-9 | PAN HEAD SCREW M5X55 |
| 32 | 211019-6 | BALL BEARING 626 |
| 33 | 153168-2 | GEAR COMPLETE 64 |
| 34 | 934301-3 | WING NUT M6 |
| 35 | 253196-8 | FLAT WASHER 6 |
| 36 | 343434-7 | DEPTH GUIDE |
| 37 | 961018-5 | STOP RING E-5 |
| 38 | 855929-3 | NAME PLATE 9741 |
| 39 | 643600-9 | BRUSH HOLDER CAP 6-10 |
| 40 | 181030-1 | Hillet CB-100 |
| 41 | 251323-1 | + PAN HEAD SCREW M4 |
| 42 | 253308-3 | THIN WASHER 6 |
| 43 | 343436-3 | COVER PLATE |
| 44 | 253980-1 | WAVE WASHER 14 |
| 45 | 253874-0 | FLAT WASHER 4 |
| 46 | 157798-1 | HOUSING |
| 47 | 251919-8 | CAP SQUARE NECK BOLT M6X20 |
| 48 | 162134-8 | FRONT ROLLER |

| | | |
|----|----------|-----------------------------|
| 49 | 256655-1 | PIN 7 |
| 50 | 343435-5 | PLATE |
| 51 | 322071-0 | ARBOR |
| 52 | 410957-1 | BAFFLE PLATE |
| 53 | 911285-2 | PAN HEAD SCREW M5X60 |
| 54 | 527414-3 | FIELD ASS'Y 220V |
| 55 | 262515-7 | SLEEVE 6 |
| 56 | 262515-7 | SLEEVE 6 |
| 57 | 911153-9 | PAN HEAD SCREW M4X28 |
| 58 | 410954-7 | HANDLE COVER |
| 59 | 162133-0 | ROLLER |
| 60 | 911133-5 | PAN HEAD SCREW M4X18 |
| 61 | 687031-2 | STRAIN RELIEF |
| 62 | 423096-8 | SPONGE SEAL |
| 63 | 682516-3 | CORD GUARD 9.3-85 |
| 64 | 665883-1 | POWER SUPPLY CORD 1.0-2-5.0 |
| 65 | 651332-4 | SWITCH SGEL210R-4 |
| 66 | 421323-7 | SWITCH COVER |
| 67 | 645200-1 | NOISE SUPPRESSOR |
| 68 | 941152-7 | FLAT WASHER 6 |



| Nr. | Art nr. | Namn |
|-----|----------|------------------------------|
| 1 | 911248-8 | PAN HEAD SCREW M5X28 |
| 2 | 157777-9 | GEAR HOUSING COVER |
| 3 | 263002-9 | RUBBER PIN 4 |
| 4 | 211101-1 | BALL BEARING 6001LLB |
| 5 | 253744-3 | FLAT WASHER 12 |
| 6 | 221756-4 | HELICAL GEAR 53 |
| 7 | 961055-9 | RETAINING RING S-15 |
| 8 | 211236-8 | BALL BEARING 6002DDW |
| 9 | 163269-8 | SPINDLE |
| 10 | 254219-5 | KEY 4 |
| 11 | 157776-1 | GEAR HOUSING |
| 12 | 911218-7 | PAN HEAD SCREW M5X14 |
| 13 | 273623-9 | GRIP |
| 14 | 794384-3 | NYLON BRUSH WHEEL 120-80 |
| 15 | 285661-9 | BEARING RETAINER |
| 16 | 211275-8 | BALL BEARING 6003DDW |
| 17 | 912122-3 | COUNTERSUNK HEAD SCREW M4X14 |
| 18 | 681625-5 | INSULATION WASHER |
| 19 | 211031-6 | BALL BEARING 608LLB |
| 20 | 263014-2 | RUBBER PIN 4 |
| 21 | 512928-5 | ARMATURE ASS'Y 220V |
| 22 | 241113-0 | FAN 68 |
| 23 | 253024-7 | FLAT WASHER 10 |
| 24 | 211088-7 | BALL BEARING 6000DDW |
| 25 | 263002-9 | RUBBER PIN 4 |
| 26 | 263002-9 | RUBBER PIN 4 |
| 27 | 263005-3 | RUBBER PIN 6 |
| 28 | 911258-5 | PAN HEAD SCREW M5X35 |
| 29 | 211019-6 | BALL BEARING 626 |
| 30 | 263002-9 | RUBBER PIN 4 |
| 31 | 911278-9 | PAN HEAD SCREW M5X55 |
| 32 | 211019-6 | BALL BEARING 626 |
| 33 | 153168-2 | GEAR COMPLETE 64 |
| 34 | 934301-3 | WING NUT M6 |
| 35 | 253196-8 | FLAT WASHER 6 |
| 36 | 343434-7 | DEPTH GUIDE |
| 37 | 961018-5 | STOP RING E-5 |
| 38 | 855929-3 | NAME PLATE 9741 |
| 39 | 643600-9 | BRUSH HOLDER CAP 6-10 |
| 40 | 181030-1 | Hillet CB-100 |
| 41 | 251323-1 | + PAN HEAD SCREW M4 |
| 42 | 253308-3 | THIN WASHER 6 |
| 43 | 343436-3 | COVER PLATE |
| 44 | 253980-1 | WAVE WASHER 14 |
| 45 | 253874-0 | FLAT WASHER 4 |
| 46 | 157798-1 | HOUSING |
| 47 | 251919-8 | CAP SQUARE NECK BOLT M6X20 |
| 48 | 162134-8 | FRONT ROLLER |

| | | |
|----|----------|-----------------------------|
| 49 | 256655-1 | PIN 7 |
| 50 | 343435-5 | PLATE |
| 51 | 322071-0 | ARBOR |
| 52 | 410957-1 | BAFFLE PLATE |
| 53 | 911285-2 | PAN HEAD SCREW M5X60 |
| 54 | 527414-3 | FIELD ASS'Y 220V |
| 55 | 262515-7 | SLEEVE 6 |
| 56 | 262515-7 | SLEEVE 6 |
| 57 | 911153-9 | PAN HEAD SCREW M4X28 |
| 58 | 410954-7 | HANDLE COVER |
| 59 | 162133-0 | ROLLER |
| 60 | 911133-5 | PAN HEAD SCREW M4X18 |
| 61 | 687031-2 | STRAIN RELIEF |
| 62 | 423096-8 | SPONGE SEAL |
| 63 | 682516-3 | CORD GUARD 9.3-85 |
| 64 | 665883-1 | POWER SUPPLY CORD 1.0-2-5.0 |
| 65 | 651332-4 | SWITCH SGEL210R-4 |
| 66 | 421323-7 | SWITCH COVER |
| 67 | 645200-1 | NOISE SUPPRESSOR |
| 68 | 941152-7 | FLAT WASHER 6 |